

**SLIDE TOPPER**<sup>™</sup>**ELITE SLIDE TOPPER MODEL  
with  
FULL COVER****86196(XX).(XXX)-(X)****86200(XX).(XXX)-(X)****86202(XX).(XXX)-(X)****86300(XX).(XXX)-(X)****USA**

SERVICE OFFICE  
Dometic Corporation  
2320 Industrial Parkway  
Elkhart, IN 46516  
574-294-2511

**CANADA**

Dometic Corporation  
46 Zatonski, Unit 3  
Brantford, ON N3T 5L8  
CANADA  
519-720-9578

For Service Center  
Assistance Call:  
800-544-4881

**! WARNING**

This manual must be read and understood before installation, adjustment, service, or maintenance is performed. This unit must be installed by a qualified service technician. Modification of this product can be extremely hazardous and could result in personal injury or property damage.

**! AVERTISSEMENT**

Lire et comprendre ce manuel avant de procéder à l'installation, à des réglages, de l'entretien ou des réparations. L'installation de cet appareil doit être effectuée par un réparateur qualifié. Toute modification de cet appareil peut être extrêmement dangereuse et entraîner des blessures ou dommages matériels.

**INSTALLATION & OPERATING  
INSTRUCTIONS****MODELS**

86196 Elite FC

86200 Elite FC

86202 Elite FC

86300 Elite FC

**REVISION**

Form No. 3308250.020 7/05  
(Replaces 3308250.012)  
(French 3308310.022)  
©2005 Dometic Corporation  
LaGrange, IN 46761

**Important:** These instructions must  
stay with unit.  
Owner read carefully.

# APPLICATION GUIDE

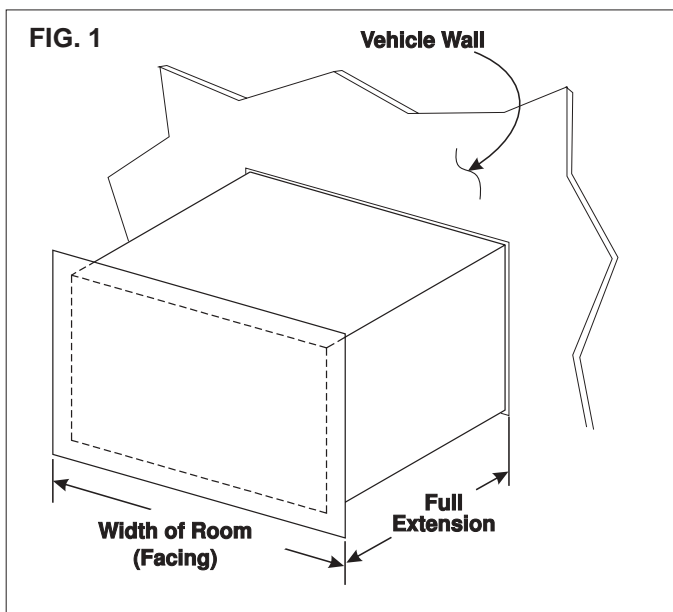
## Models: 86196, 86200, 86202 and 86300 Elite FC

The A&E Slide Topper is designed to protect the top of an RV's slide-out-room from weather and debris. It is not waterproof, some drips, condensation, or wind blown precipitation can be present under the canopy.

### 1. DETERMINE SLIDE TOPPER LENGTH:

To determine the size of Slide Topper you require, measure your room according to the picture below and then use the chart supplied.

The Slide Topper will **NOT** work on rooms with a full extension greater than 44 inches.



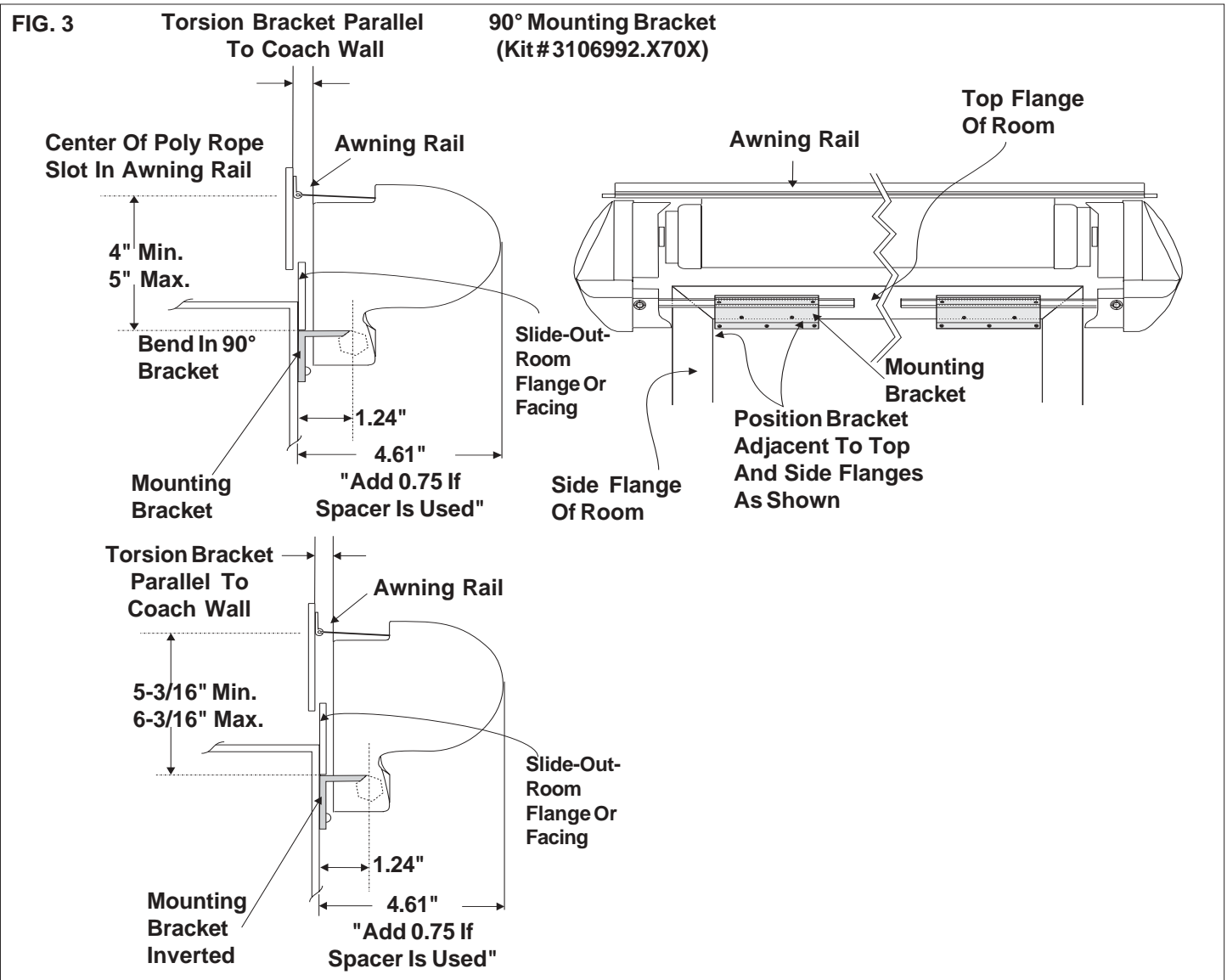
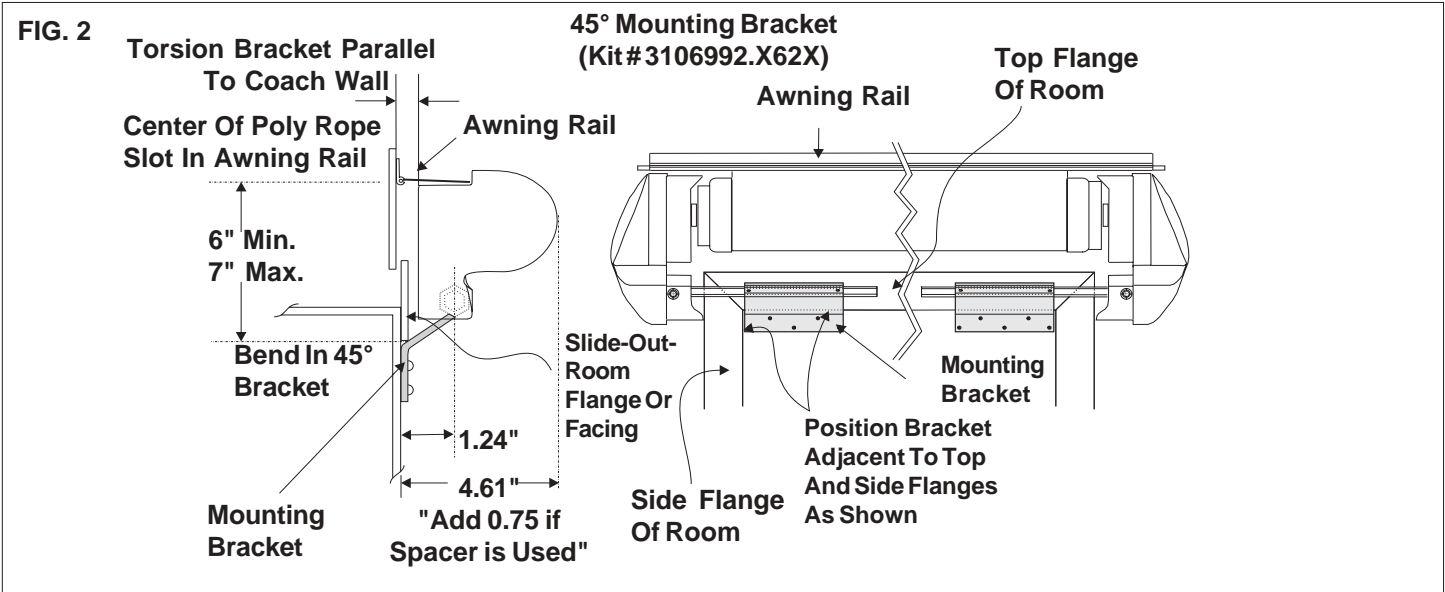
| Width Of Room    | Recommended Awning Length |
|------------------|---------------------------|
| 50" to 55-3/4"   | (See Note)                |
| 56" to 61-3/4"   | 66"                       |
| 62" to 67-3/4"   | 72"                       |
| 68" to 73-3/4"   | 78"                       |
| 74" to 79-3/4"   | 84"                       |
| 80" to 85-3/4"   | 90"                       |
| 86" to 91-3/4"   | 96"                       |
| 92" to 97-3/4"   | 102"                      |
| 98" to 103-3/4"  | 108"                      |
| 104" to 109-3/4" | 114"                      |
| 110" to 115-3/4" | 120"                      |
| 116" to 121-3/4" | 126"                      |
| 122" to 127-3/4" | 132"                      |
| 128" to 133-3/4" | 138"                      |
| 134" to 139-3/4" | 144"                      |
| 140" to 145-3/4" | 150"                      |
| 146" to 151-3/4" | 156"                      |
| 152" to 157-3/4" | 162"                      |
| 158" to 163-3/4" | 168"                      |
| 164" to 169-3/4" | 174"                      |
| 170" to 175-3/4" | 180"                      |
| 176" to 181-3/4" | 186"                      |
| 182" to 187-3/4" | 192"                      |

### 2. DETERMINE BRACKETS REQUIRED FOR THE SLIDE OUT:

- 3106992.062(X) Bracket Kit
- 3106992.162(X) Bracket Kit (See Note)
- 3106992.070(X) Bracket Kit
- 3106992.170(X) Bracket Kit (See Note)

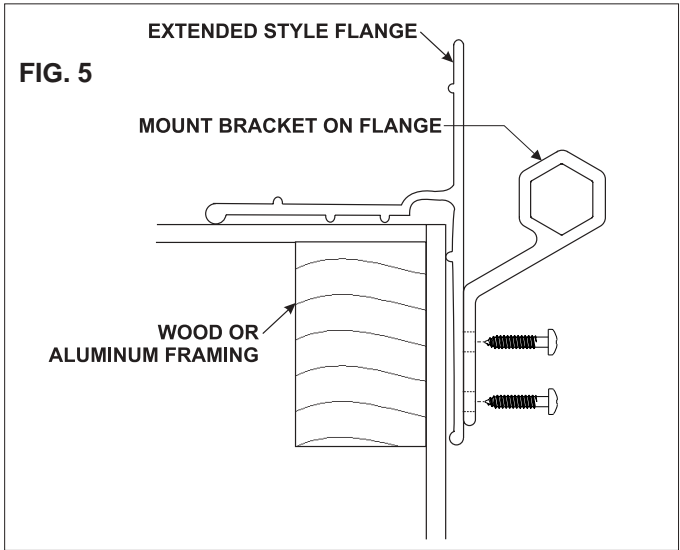
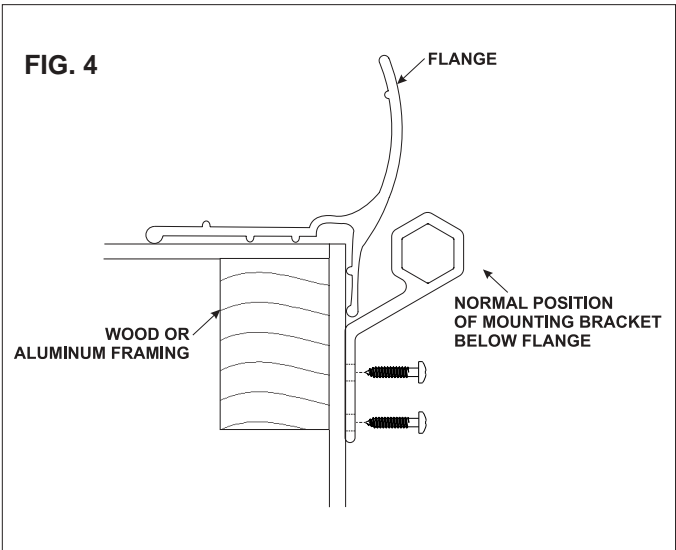
**Note:** Use **ONLY** with 86(XXX)(XX).060 Models.

**Note:** The greater the distance between the awning rail and the mounting bracket, the better water and debris will run off, however, **DONOT** exceed maximum distances shown. Exceeding these recommended distances will result in the wind deflector interfering with drip/gutter rails.



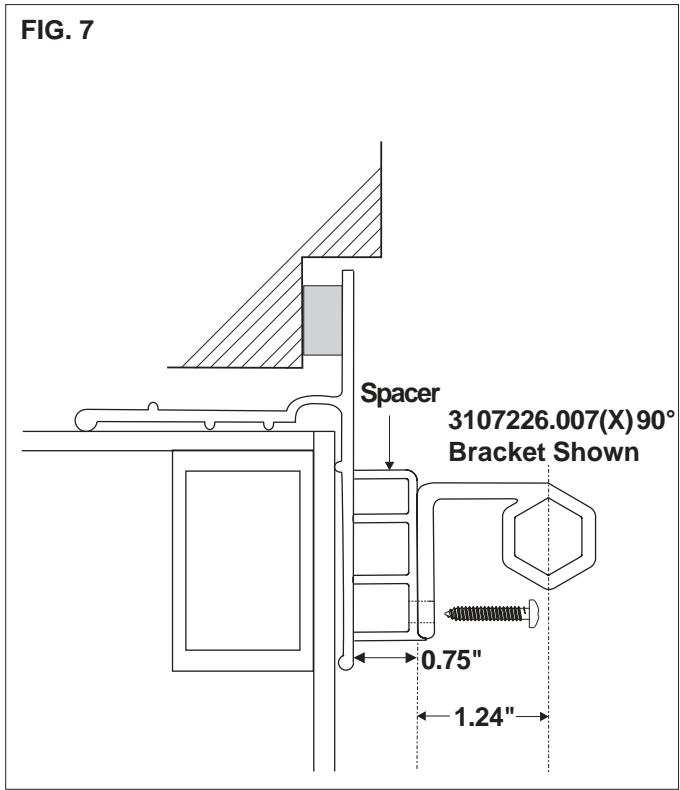
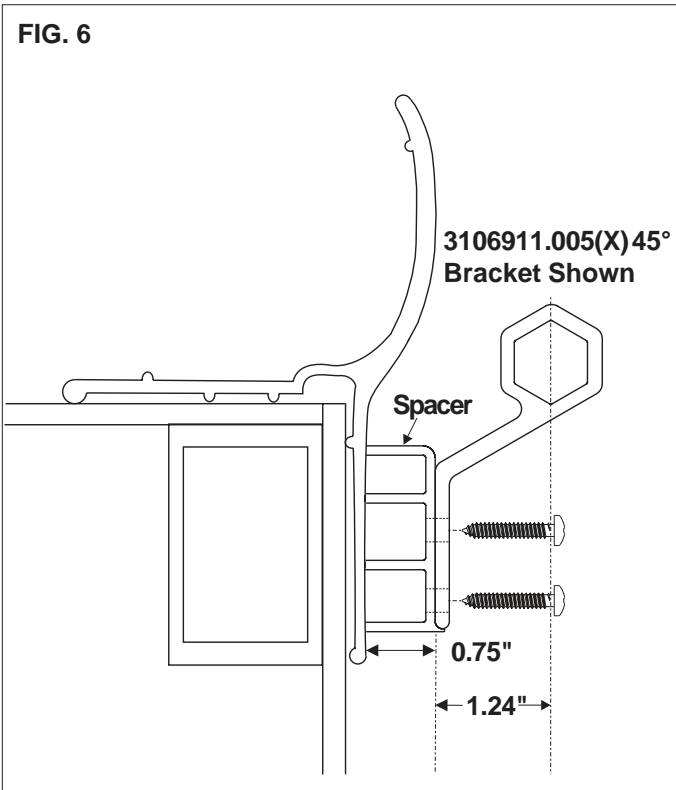
When installing the A&E Slide Topper on vehicles with extra large slide-out-room flanges, it may be necessary to install the mounting bracket directly on the flange. See FIG. 5.

**Important:** The bracket must only be mounted on the flange where there is sufficient backing material or framing behind the flange.



### 3107940.003 SPACER KIT

**Important:** Spacer Kit can be installed when additional clearance is required between the slide topper and the outside wall of the RV which is the case with recessed rooms. When 3107940.003 Spacer Kit is used, the center support bracket will also need to be spaced properly. Use 3308393.002 Center Support Bracket Spacer Kit.



## SAFETY INSTRUCTIONS

This manual has safety information and instructions to help users eliminate or reduce the risk of accidents and injuries.

### RECOGNIZE SAFETY INFORMATION



This is the safety-alert symbol. When you see this symbol in this manual, be alert to the potential for personal injury.

Follow recommended precautions and safe operating instructions.

### UNDERSTAND SIGNAL WORDS

A signal word, **WARNING OR CAUTION** is used with the safety-alert symbol. They give the level of risk for potential injury.

**! WARNING**: Indicates a potential hazardous situation which, if not avoided, could result in death or serious injury.

**! CAUTION**: Indicates a potentially hazardous situation which, if not avoided, may result in minor or moderate injury

**CAUTION**: Used without the safety alert symbol indicates a potentially hazardous situation which, if not avoided, may result in property damage.

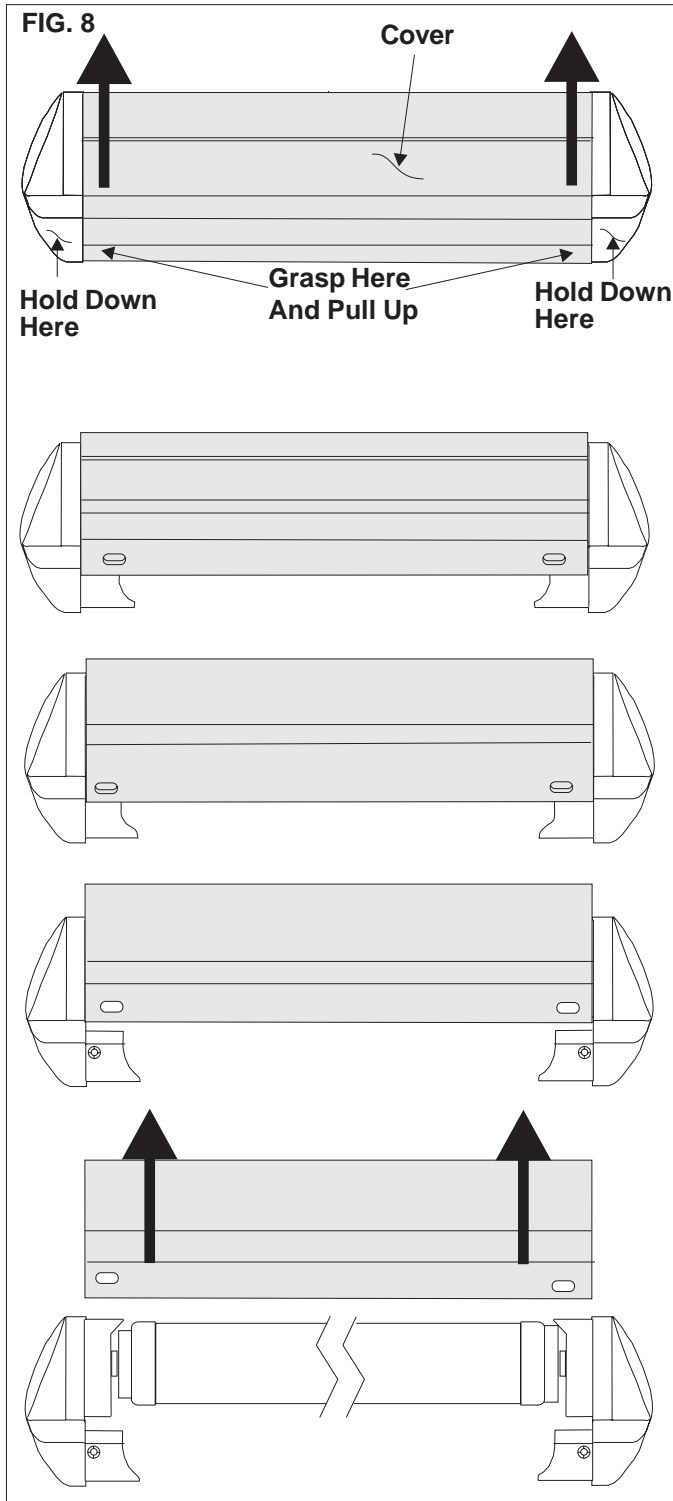
Read and follow all safety information and instructions.

Learn how to operate the awning properly.

## GENERAL INFORMATION

### INSTALLATION PREPARATION

1. Remove slide topper from the shipping tube.
2. Remove plastic bag from around slide topper.
3. Lay slide topper on a clean flat surface.
4. Grasp the cover at the bottom edge near one end of the torsion brackets and pry the cover up approximately 1-2" with one hand while holding the torsion bracket with the other hand. Repeat the same process at the other end and continue lifting the cover until it can be fully removed. See FIG. 8. Lay cover aside.



5. Roll slide topper over and remove all mounting hardware, literature and hex extension bars if they have been included with the slide topper.

### **! WARNING**

**Do not remove the cotter pins located on each end of the FRTA until instructed to do so. The FRTA is pre-wound and under tension. Rapid spin-off will occur if the cotter pin is removed.**

6. Check installation hardware against the following list.

|        |                                      | 86196 | 86200 | 86202 | 86300 |
|--------|--------------------------------------|-------|-------|-------|-------|
|        | 730099-(X) Awning Rail               | X     | —     | —     | —     |
| (1)    | 3308241.003(X) Kit, Center Support   | X     | X     | X     | X     |
| (1)    | 3308091.002(X) Bracket               | X     | X     | X     | X     |
| (2)    | 3105445.013 Screw, #10-12 x 1.0 PHCR | X     | X     | X     | X     |
| (4)    | 312300.041 Screw, 1/4"-20 x 5/8" PH  | X     | X     | X     | X     |
| (2)    | 3307879.002 Screw, #10-32 x .50"     | X     | X     | X     | X     |
| (1)    | 3106806.049 Kit, Hardware            | —     | X     | —     | X     |
| (10)   | 3105445.013 Screw, #10-12 x 1.0"     | —     | X     | —     | X     |
| (2)    | 310359.012 Screw, #6-20 x .44 HHW    | —     | X     | —     | X     |
| (4)    | 3103855.023 Screw, 10-16 x .63"      | —     | X     | —     | X     |
| (2)    | 3106792.041Q 15" Hex Extension Bar   | —     | *X    | —     | *X    |
| (2)    | 3106911.005(X) 45° Wall Bracket      | —     | X     | —     | —     |
| (2)    | 3107226.007(X) 90° Wall Bracket      | —     | —     | —     | X     |
| (1)    | 3307879.002 Screw, 10-32 x .50"      | X     | X     | X     | X     |
| (1)    | 3308276.009(X) Kit, Z-Clip           | —     | —     | —     | X     |
| (4)    | 3105445.005 Screw, 10-12 x 0.75"     | —     | —     | —     | X     |
| ** (1) | 3106992.(XXX)-(X) Kit, Wall Bracket  | X     | —     | X     | —     |

\* Except 86(XXX)(XX).060-(X) Use 3106792.058Q 18" Hex Extension Bar  
 \*\* Wall Bracket Kit is ordered separately. It does not come with the Slide Topper Fabric Roller Tube Assembly. The kit numbers are: 3106992.062(X) 45° Wall Bracket Kit w/15" Hex Extension 3106992.162(X) 45° Wall Bracket Kit w/18" Hex Extension 3106992.070(X) 90° Wall Bracket Kit w/15" Hex Extension 3106992.170(X) 90° Wall Bracket Kit w/18" Hex Extension

NOTE: Replace (X) with color letter code  
 B = Polar White H = Mende  
 S = Satin R = Champagne  
 U = Black V = Gold

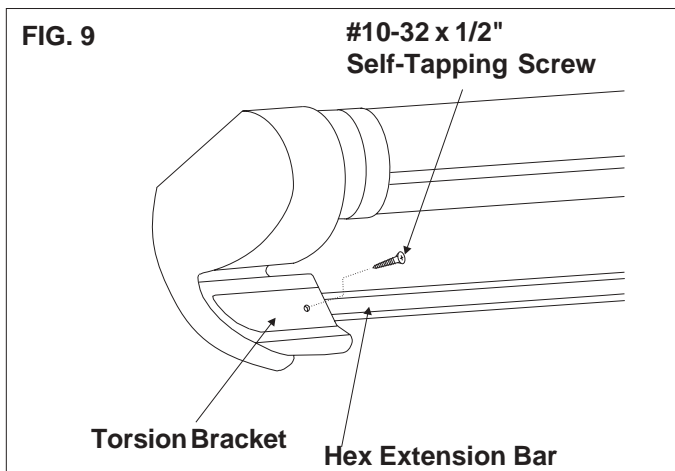
## INSTALLATION INSTRUCTIONS

1. Install awning rail. Some slide topper models are not furnished with awning rail. If not supplied with slide topper, installer will need to furnish. See figure 2 and 3 to determine the correct location for the awning rail.

Apply a sealant to the back edge of the awning rail to prevent leaks, and install the awning rail using #6-20 x 1/2" screws. The rail must be FIRMLY mounted to the vehicle.

Remove any drip shields or flashings which conflict with the awning.

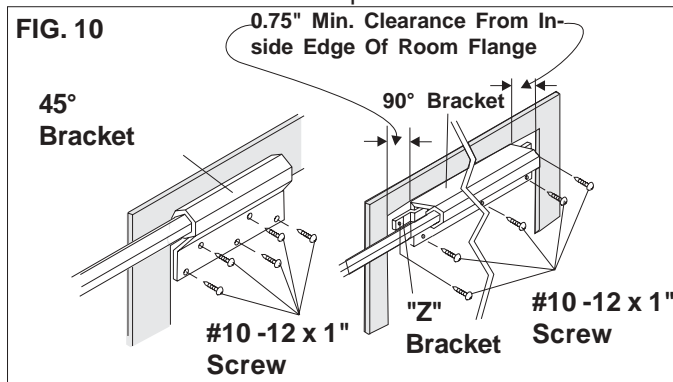
2. Install one (1) hex extension bar in the torsion bracket hexslot. Press into hole until hexrod bottoms out. See FIG. 9. (Some applications will have one hex extension bar already secured to the torsion bracket when received from Dometic.)



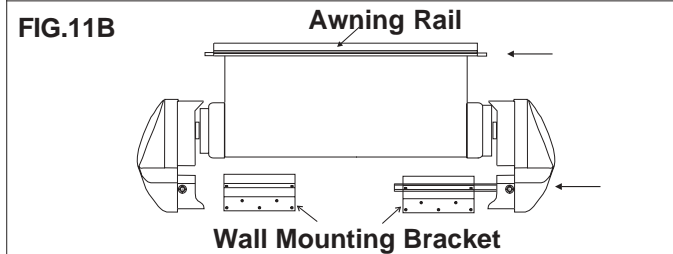
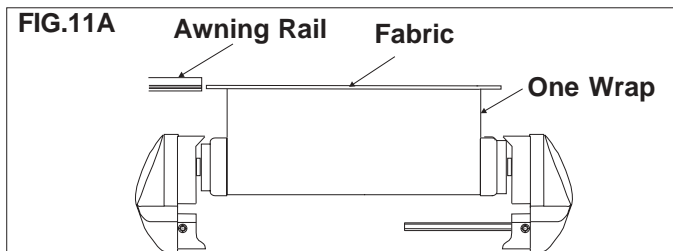
3. Locate and install slide topper wall mounting brackets on the slide-out-room wall with ten (10) #10-12 x 1" PHCR screws provided. See FIG. 10. Position bracket as shown in FIG. 2 & 3. Install "Z" clips at the top of the bracket as shown in FIG. 10. Pre drill the hole with and 1/8" drill bit and install screw.

**Note:** If the vehicle has a laminated wall, mark and drill hole

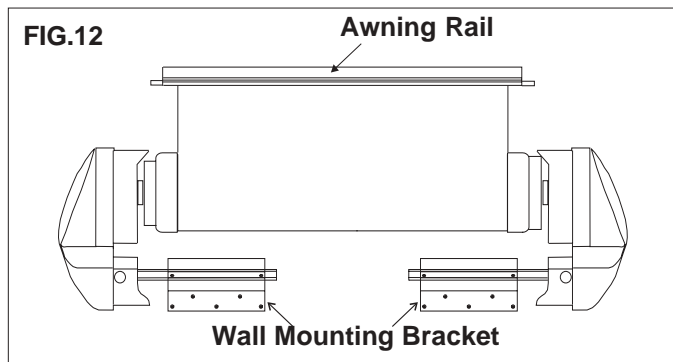
locations with a 3/16" drill bit and use expanding rivets to secure the bracket and "Z" clips.



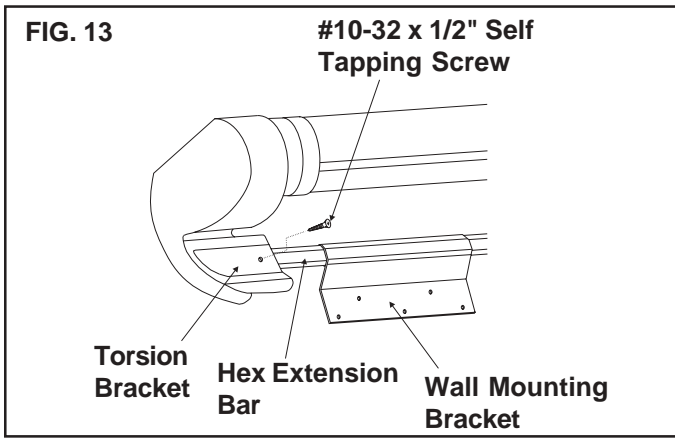
- Unroll **ONE** wrap of fabric from the fabric roller tube. See FIG. 11A.
- Move slide topper awning and remaining hex extension bar to RV and install fabric into the awning rail. See FIG. 11A & 11B. Slip the pre-mounted hex extension bar into one previously mounted wall mounting bracket on the slide room as the fabric is installed into the awning rail. See FIG. 11A & 11B.



6. Install the second hex extension bar through the previously mounted wall mounting bracket and into the torsion bracket. Again, press into hex hole until hexrod bottoms out. See FIG 12.

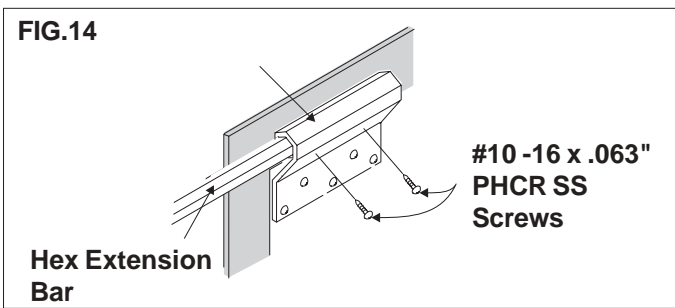


**Important:** Do not secure either hex extension bar to the wall mounting brackets at this time.



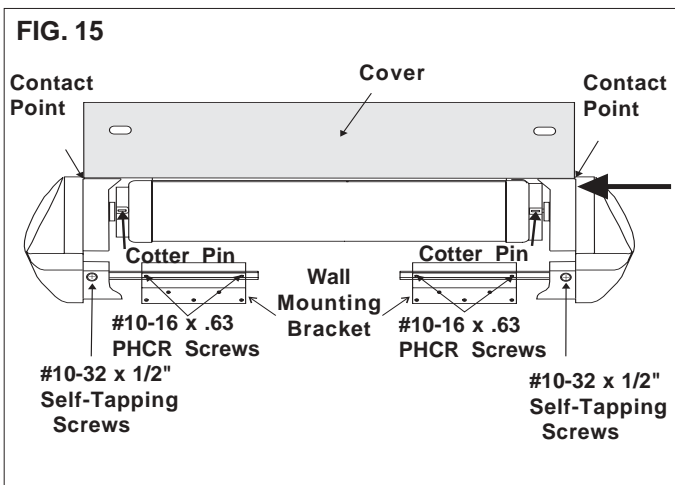
7. Position the slider topper appropriately (center between wall mounting brackets)

**Important:** Do not secure the hex extension bars to the wall mounting brackets at this time.



8. Retrieve the cover and slide the center mounting bracket to the center of the cover. See FIG. 18. Now place it upside down on top of the torsion brackets, allowing it to rest on the inside flange of the torsion brackets. See FIG. 15.

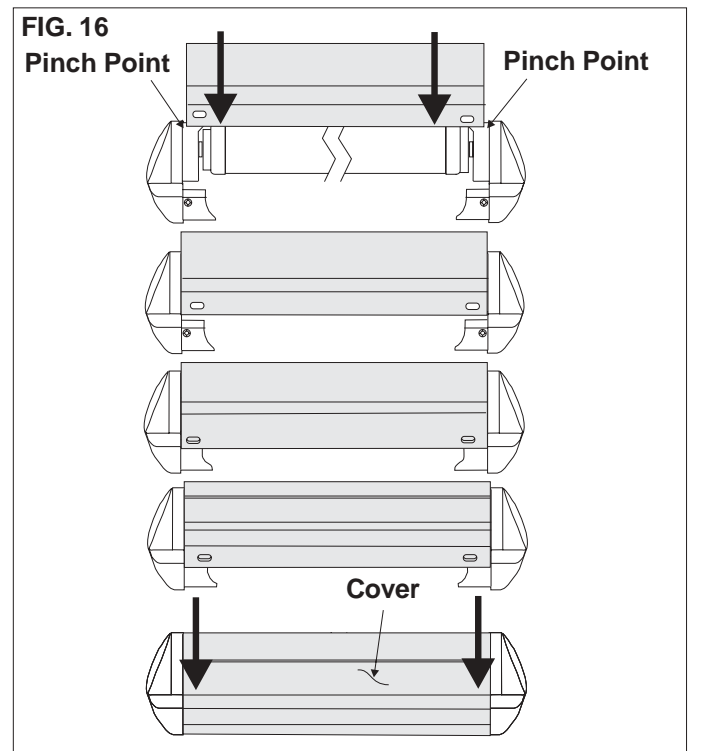
**Important:** Care must be taken to keep the cover from inadvertently falling off the torsion brackets while performing the next step.



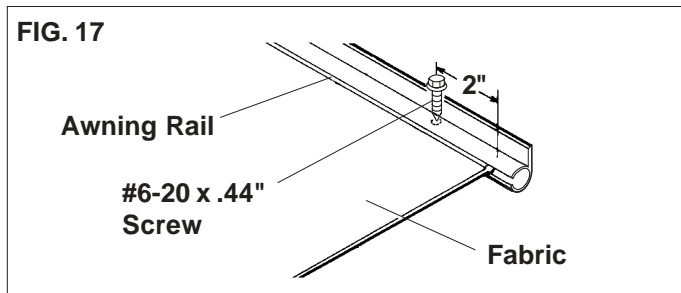
9. Move one torsion bracket until cover touches both contact points. See FIG. 15.
10. Remove the cotter pin by pulling it straight out. See FIG. 15.
11. Now secure the hex extension bars to the wall mounting bracket using 4 #10-16 x .63" PHCR SS self drilling screws. Predrill hexrod through holes (dim. 11/64") in torsion bracket. Secure torsion brackets to hexrod using 10-32 x 1/2" self tapping flathead screws provided. Take care not to change torsion bracket position during this step; torsion bracket should have back edge parallel to coach wall before, during, and after this step. See FIG. 2,3,14,and 15.
12. Roll cover downward and push it straight onto the torsion brackets until it "snaps" into place. See Fig. 16. To avoid being pinched, keep fingers and hands away from the area between the cover and torsion brackets.

**! CAUTION**

**Pinch point. Keep fingers and hands away from the area between the cover and the torsion brackets.**



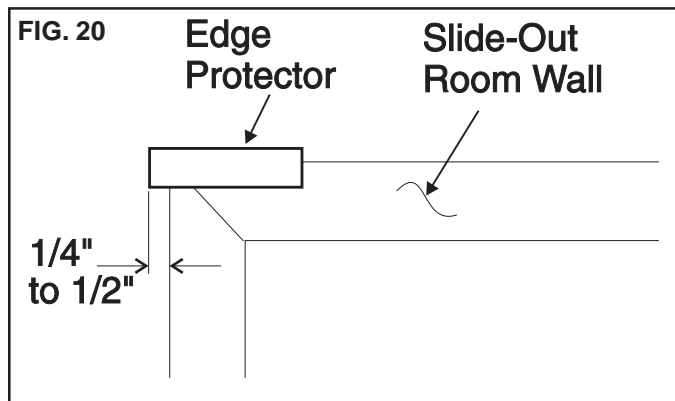
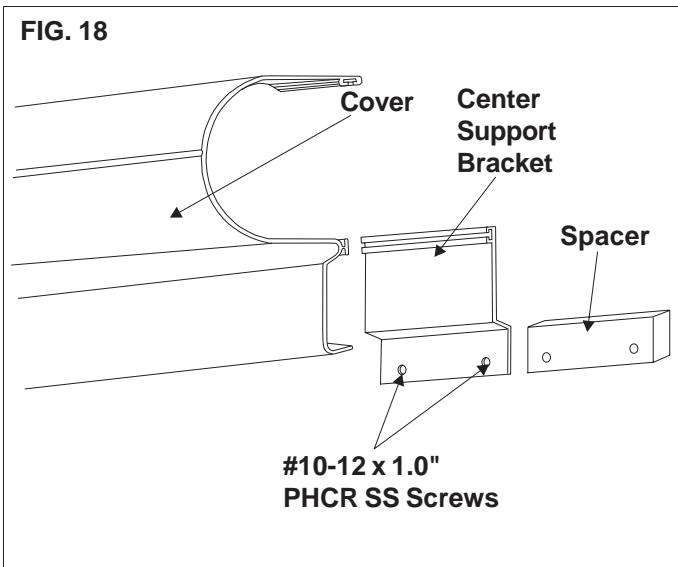
13. Initial Awning Adjustment-Cycle the slide-out-room four or five times to align fabric. When satisfied with the alignment, secure fabric by driving a #6-20 x .44" Tek screw through the rail and into the fabric rope. See FIG. 17 for screw location. Repeat at opposite end.



16. Attach center support bracket to slide-out-room wall using two (2) #10-12 x 1.0" PHCR SS screws provided. See FIG 18 & 19. If 3107940.003 Spacer Kit was used to space the wall mounting bracket the center support bracket will need to be spaced as well. Use 3308393.002 Center Support Spacer Kit. If there is no spacer behind the center support bracket, oscar rivets (not supplied) may be used if there is no backing behind the outside skin of the RV.

17. Install (not supplied) edge protector on each end of slide-out-room molding. See FIG. 20. Allow protector to extend beyond edge of molding by 1/4" to 1/2".

**Note:** Not all installations will be able to use a Dometic edge protector. If a Dometic edge protector is not used, a similar type MUST be used. Units which are damaged by the slide-out-room will NOT be covered under warranty.

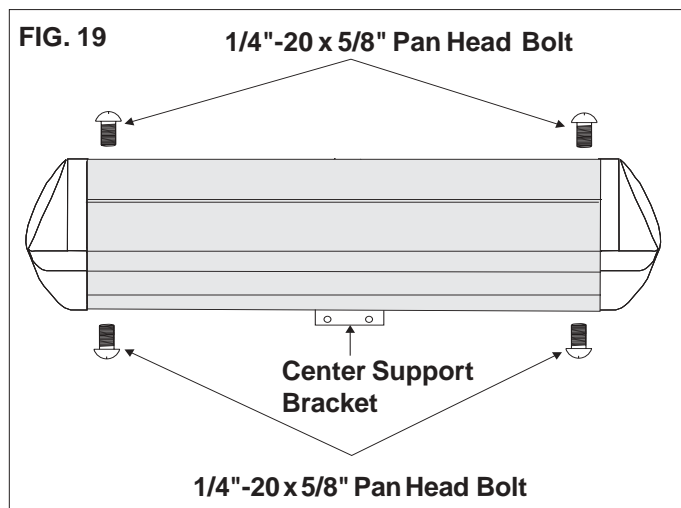


**Note:** Oscar rivets and edge protectors are available as separate items.

- 113008P10 Oscar Rivet=Package of 10
- 113008P100 Oscar Rivet=Package of 100
- 3308176.001 Edge Protector=Package of 10
- 3308176.019 Edge Protector=Package of 100

14. Adjust cover from side to side if necessary. Equally space the distance between the cover and the torsion bracket on both ends.

15. Secure cover to torsion brackets using one (1) 1/4"-20 x 5/8" pan head bolt provided in each corner of the cover. See FIG. 19.





---

## OPERATING INSTRUCTIONS

---

The slide topper will automatically open and close as your slide-out-room opens and closes.

Because the awning is level, water may puddle on top of the canopy. As the slide out room is closed and the awning rolls up, these puddles will spill over the sides of the awning.

### CAUTION

**Do not use the slide topper in snowing or freezing-rain conditions. Such use will prevent the awning from retracting with the slide room and damage the awning and the slide-out-room.**

### HELPFUL HINTS FOR AWNING CARE

- If the awning is wet when rolled up, as soon as conditions allow, roll it out and let it dry before rolling it up again. This will help prevent mildew and staining.
- **WHEN TO GET MORE HELP:**  
If malfunctions occur that cannot be corrected by reviewing this installation and operating instructions manual, contact a Dometic Service Center or qualified service technician for assistance. For Service Center Assistance Call 800-544-4881.